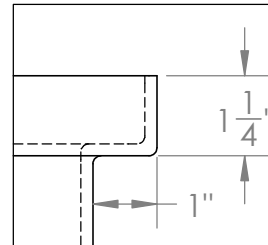
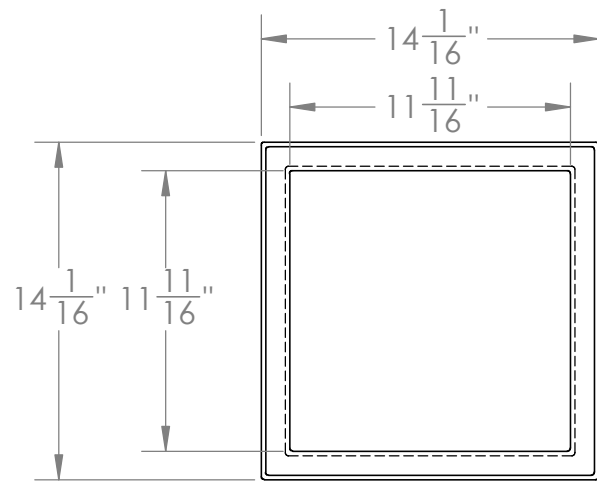
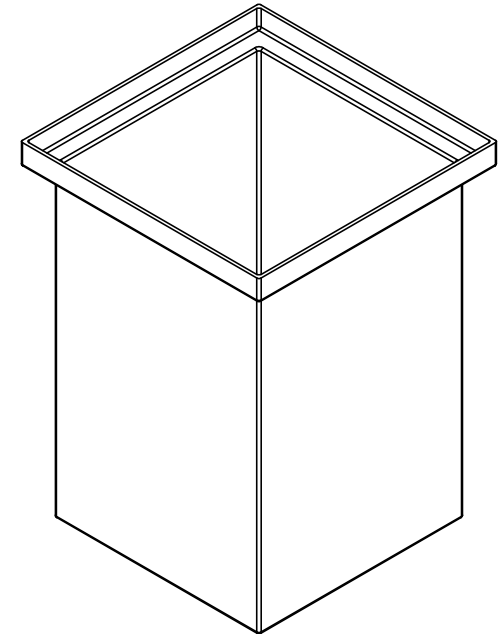


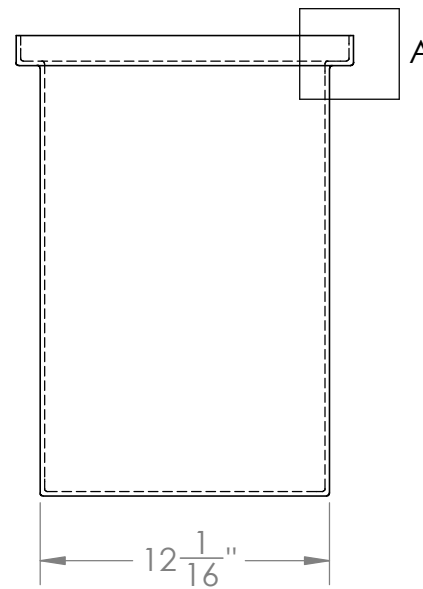
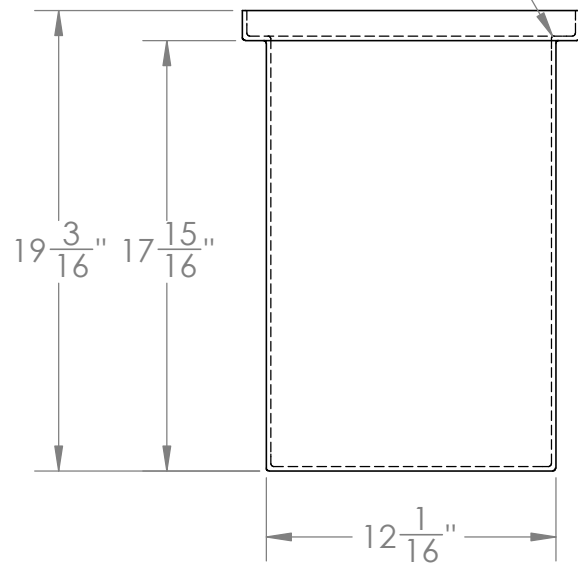
Catalog options:
Cover #6350



DETAIL A



ALL FILLETS AND
ROUNDS $R\frac{1}{8}$ "



Heavy Duty Polyethylene
Tank w/ Internal Flange #6301



1390 Neubrecht Road
Lima, Ohio 45801

STOCK NO.	6301	REV	A
-----------	-------------	-----	----------

DO NOT SCALE DRAWING

WEIGHT: 7 lbs.

DIMENSIONS ARE IN INCHES TOLERANCE: $\pm 1/4$ "		NAME	DATE
MATERIAL	LLDPE - FDA resin	DRAWN	CDH 06/13/16
CAPACITY	10 US gal.	APPROVED	BAT 07/14/16
GRADUATIONS	NO	COMMENTS:	
NOMINAL WALL THICKNESS	3/16"	Translucent UV Stabilized	

PROPRIETARY AND CONFIDENTIAL

THE INFORMATION CONTAINED IN THIS DRAWING IS THE SOLE PROPERTY OF TAMCO. ANY REPRODUCTION IN PART OR AS A WHOLE WITHOUT THE WRITTEN PERMISSION OF TAMCO IS PROHIBITED.

MAX. OPERATING TEMP. 140°F
INTERMITTENT SERVICE TO 160°F
SEE CHEMICAL RESISTANCE
CHART FOR COMPATIBILITY