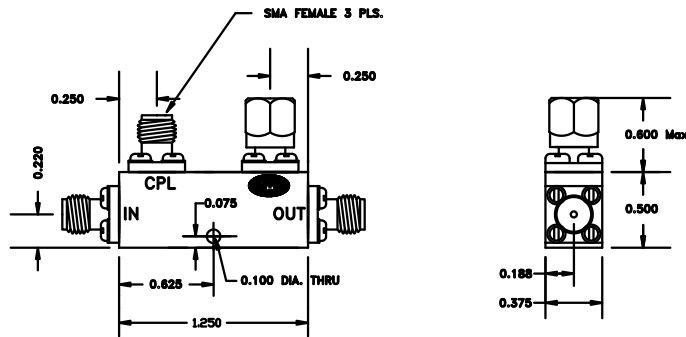




Directional Couplers

CPL

APPLICATION		REVISION			
NEXT ASSY	USED ON	LTR	DESCRIPTION	DATE	APPROVED



Specifications:

Frequency Range: 7 to 12 GHz
 Insertion Loss: 1.8 db Max.
 VSWR: 1.5:1 Max.
 Frequency Sensitivity: +/- 0.75 db Max.
 Coupling: 6 +/- 1.5 db
 Directivity: 15 db
 Input Power: 50 WCW @ 1.5:1 Load VSWR Max

UNLESS OTHERWISE SPECIFIED DIMENSIONS ARE IN INCHES TOLERANCES ARE: FRACTIONS DECIMALS ANGLES ± .XX ±.03 ± .XXX ±.01	CONTRACT NO.		TAYLOR MICROWAVE, INC. 48 INDUSTRIAL WEST • CLIFTON, N.J. 07012
	APPROVALS	DATE	
MATERIAL	DRAWN	J.B.	2/17
	CHECKED	E.E.	B.S.
FINISH	TITLE		STRIPLINE DIRECTIONAL COUPLER
	GRAY PAINT	SIZE	
DO NOT SCALE DRAWING	DRAWING NO.		A 0E3Y7 CPL-7012-6
SCALE		NONE	CAD 13 SHEET 1 OF 1

TAYLOR MICROWAVE, INC.

48 Industrial West, Clifton, NJ 07012 • Tel.(973)890-7763 • Fax.(973)890-7793

