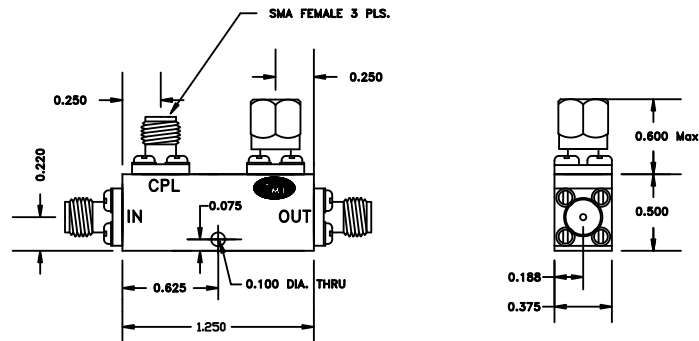




Directional Couplers

CPL

APPLICATION		REVISION			
NEXT ASSY	USED ON	LTR	DESCRIPTION	DATE	APPROVED



Specifications:

Frequency Range: 2 to 4 GHz
 Insertion Loss: 1.8 db Max.
 VSWR: 1.25:1 Max.
 Frequency Sensitivity: +/- 0.75 db Max.
 Coupling: 6 +/- 1.5 db
 Directivity: 18 db
 Input Power: 50 WCW @ 1.5:1 Load VSWR Max

UNLESS OTHERWISE SPECIFIED DIMENSIONS ARE IN INCHES TOLERANCES ARE: FRACTIONS DECIMALS ANGLES ± .XX ±.03 ± .XXX ±.01	CONTRACT NO.		TAYLOR MICROWAVE, INC. 48 INDUSTRIAL WEST • CLIFTON, N.J. 07012
	APPROVALS	DATE	
	DRAWN J.B.	2/17	
	CHECKED		
MATERIAL	E.E. B.S.	2/17	TITLE STRIPLINE DIRECTIONAL COUPLER
FINISH GRAY PAINT			SIZE CODE IDENT NO. DRAWING NO. A OE3Y7 CPL-2040-06
DO NOT SCALE DRAWING	SCALE NONE	CAD 13	SHEET 1 OF 1

TAYLOR MICROWAVE, INC.

48 Industrial West, Clifton, NJ 07012 • Tel.(973)890-7763 • Fax.(973)890-7793

Typical Test Data

