

APPLICATION

REVISION

NEXT ASSY

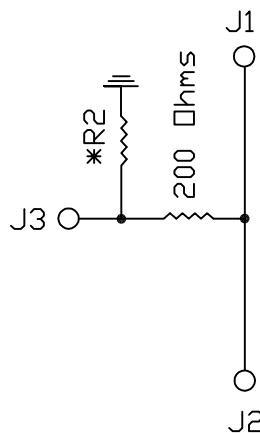
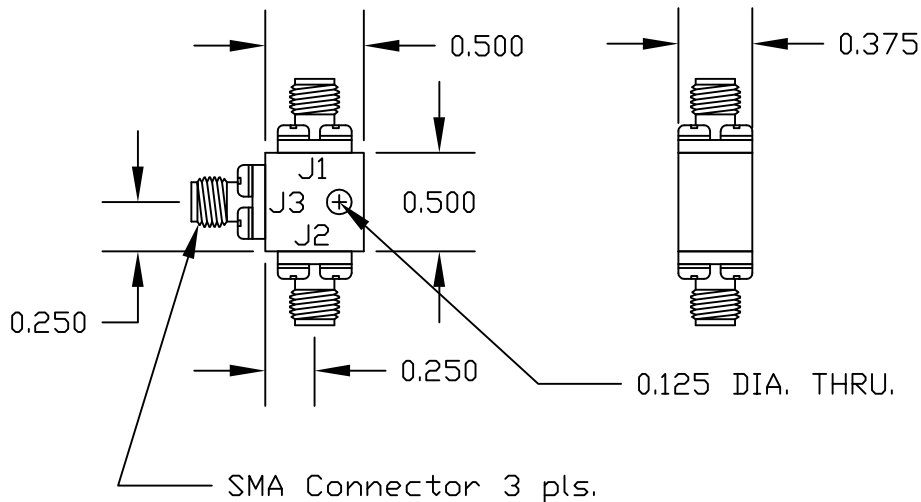
USED ON

LTR

DESCRIPTION

DATE

APPROVED



Specifications

Frequency Range: DC to 20 GHz  
 Insertion Loss: 1.1 db Max.  
 VSWR: 1.3:1 Max. J1 and J2 Port.  
 VSWR: 4.5:1 Max. J3 Port. without R2  
 Pickoff Insertion Loss: 15 db +/- 1 db  
 Input Power: 1 WCW Max.

\* Optional Resistor

UNLESS OTHERWISE SPECIFIED  
 DIMENSIONS ARE IN INCHES  
 TOLERANCES ARE:  
 FRACTIONS DECIMALS ANGLES  
 ± .XX ±.03 ±  
 .XXX ±.01

MATERIAL

FINISH  
 GREY PAINT

DO NOT SCALE DRAWING

CONTRACT NO.

APPROVALS DATE

DRAWN J.B. 8/14

CHECKED

E.E. B.S. 8/14



TAYLOR MICROWAVE, INC.  
 48 INDUSTRIAL WEST • CLIFTON, N.J. 07012

TITLE

PICKOFF TEE

SIZE CODE IDENT NO. DRAWING NO.

A OE3Y7 POT-20G

SCALE NONE CAD 13 SHEET 1 OF 1