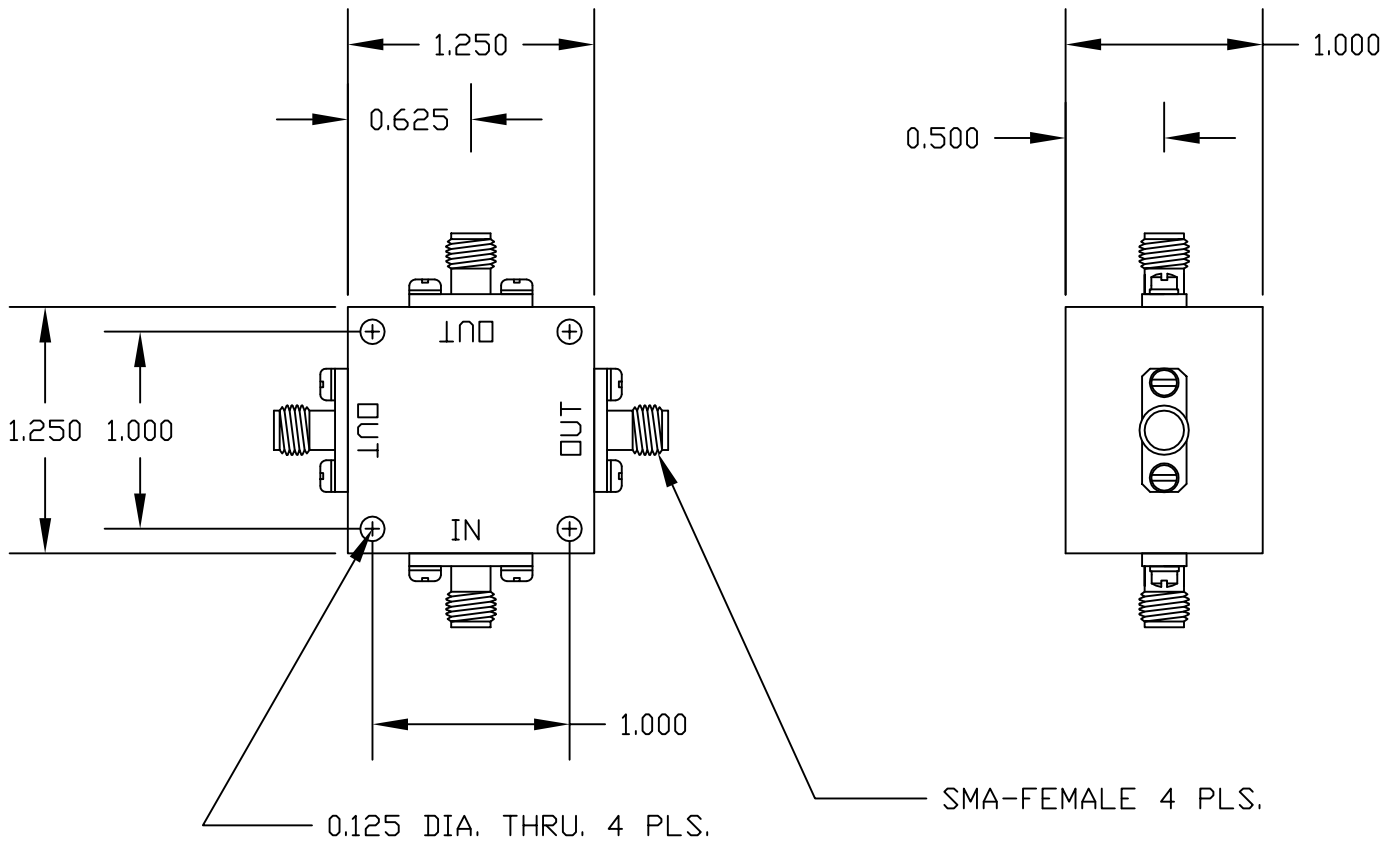



APPLICATION		REVISION			
NEXT ASSY	USED ON	LTR	DESCRIPTION	DATE	APPROVED
		A	I/P & O/P Impedance 50 Ohms	7/10/14	BS



Specifications

Frequency Range: 1 to 1000 MHz
 Insertion Loss: 1.5 db Max.
 VSWR: 1.5:1 Max.
 Isolation: 20db Min.
 Ampl. Balance: 0.30 db Max.
 Phase Balance: 3 degree Max.
 Input Power: 1WCW Max.

UNLESS OTHERWISE SPECIFIED DIMENSIONS ARE IN INCHES TOLERANCES ARE: FRACTIONS DECIMALS ANGLES ± .XX ±.03 ± .XXX ±.01	CONTRACT NO.		 TAYLOR MICROWAVE, INC. 48 INDUSTRIAL WEST • CLIFTON, N.J. 07012
	APPROVALS	DATE	
MATERIAL	DRAWN J.B.	5/98	TITLE 3 WAY POWER DIVIDER
	CHECKED		
FINISH BLACK PAINT	E.E. B.S.	5/98	SIZE CODE IDENT NO. DRAWING NO. A OE3Y7 PD3T-11000
	DO NOT SCALE DRAWING		SCALE NONE CAD 13 SHEET 1 OF 1