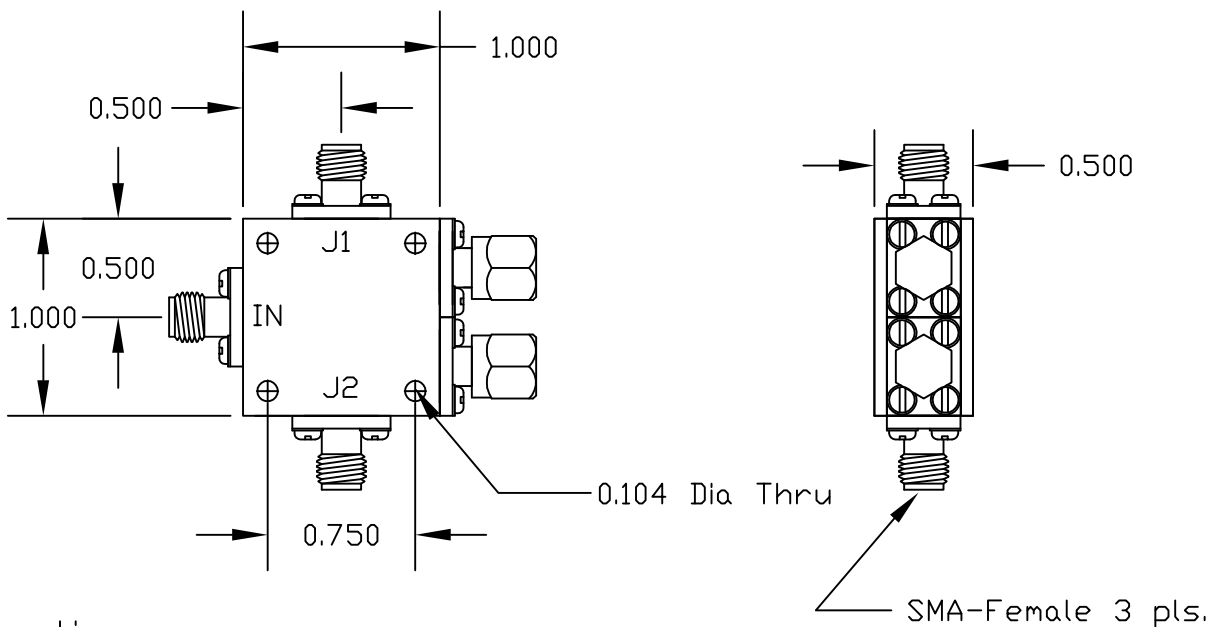


APPLICATION			REVISION		
NEXT ASSY	USED ON	LTR	DESCRIPTION	DATE	APPROVED



Specifications:

Frequency Range: 9.5 to 10 GHz

Insertion Loss: 0.20 db Max.


VSWR: 1.2:1 Max.

Isolation: 20 db Min.

Amp. Balance: +/-0.2 db Max.

Phase Balance: +/- 2 degree Max.

Input Power: 500W peak 10 % D.C .with Pulse width of 25uSec Max.

UNLESS OTHERWISE SPECIFIED DIMENSIONS ARE IN INCHES TOLERANCES ARE: FRACTIONS DECIMALS ANGLES ± .XX ±.03 ± .XXX ±.01	CONTRACT NO.		 <b>TAYLOR MICROWAVE, INC.</b> 48 INDUSTRIAL WEST • CLIFTON, N.J. 07012
	APPROVALS	DATE	
MATERIAL	DRAWN J.B.	6/14	TITLE  2 Way Power Divider
	CHECKED		
FINISH  GREY PAINT	E.E. B.S.	6/14	SIZE CODE IDENT NO. DRAWING NO. A OE3Y7 PD2G-9510
	DO NOT SCALE DRAWING		SCALE NONE CAD 13 SHEET 1 OF 1