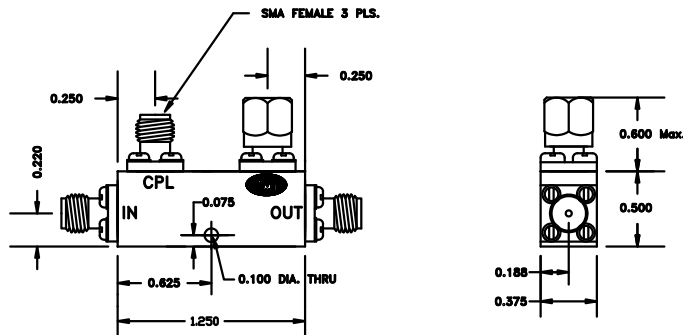




Directional Couplers | CPL

APPLICATION			REVISION			
NEXT ASSY	USED ON	LTR	DESCRIPTION	DATE	APPROVED	



Specifications:

Frequency Range: 7 to 12 GHz
 Insertion Loss: 0.30 db Max.
 VSWR: 1.3:1 Max.
 Frequency Sensitivity: +/- 0.50 db Max.
 Coupling: 30 +/- 1.5 db
 Directivity: 15 db
 Input Power: 50 WCW @ 1.5:1 Load VSWR Max

UNLESS OTHERWISE SPECIFIED DIMENSIONS ARE IN INCHES TOLERANCES ARE: FRACTIONS DECIMALS ANGLES ± .XX ±.03 ± XXX ±.01	CONTRACT NO.		TAYLOR MICROWAVE, INC. 48 INDUSTRIAL WEST • CLIFTON, N.J. 07012
	APPROVALS	DATE	
MATERIAL	DRAWN J.B.	10/16	TITLE STRIPLINE DIRECTIONAL COUPLER
FINISH GRAY PAINT	CHECKED		SIZE CODE IDENT NO. DRAWING NO. A OE3Y7 CPL-7012-30
DO NOT SCALE DRAWING	E.E. B.S.	10/16	SCALE NONE CAD 13 SHEET 1 OF 1

TAYLOR MICROWAVE, INC.

48 Industrial West, Clifton, NJ 07012 • Tel.(973)890-7763 • Fax.(973)890-7793

