



DIGITAL ATTENUATOR 10 MHZ TO 20 GHz

DAT

FEATURES

- **REPEATABILITY**
Repeatable performance
- **WIDE BANDWIDTH**
8:1 B.W.
- **LOW LOSS**
1 db Typ.

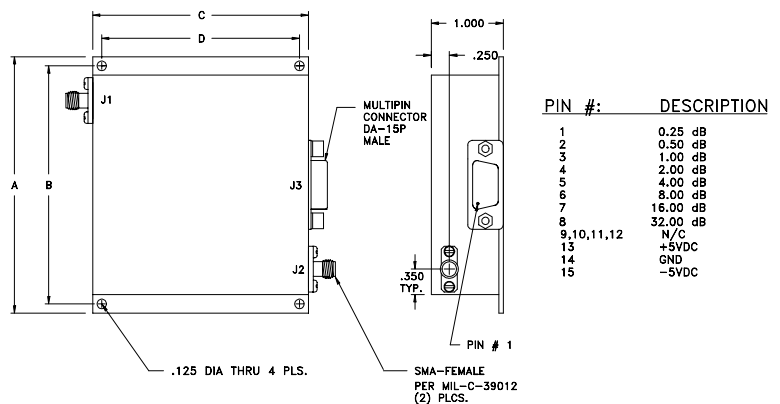
DESCRIPTION

The DAT series attenuators combine low loss pin diodes, T-Pads attenuators, diode resistor networks and dielectric constant substrates to produce repeatable low loss performance over wide frequency and attenuation range.

ELECTRICAL SPECIFICATIONS

Model No.	Frequency Range (GHz)	Insertion Loss (dB)	VSWR Max.	ATTENUATOR FLATNESS VS. FREQUENCY – dB							
				Up to 10 dB	Up to 20 dB	Up to 40 dB	Up to 60 dB	A	B	C	D
DAT-1020	1-2	2.5	1.8:1	0.30	0.80	1.50	2.00	3.50	3.25	3.00	2.75
DAT-2040	2-4	3.0	1.8:1	0.30	0.80	1.50	2.00	3.25	3.00	2.75	2.50
DAT-4080	4-8	3.5	1.8:1	0.30	0.80	1.50	2.00	3.00	2.75	2.50	2.25
DAT-8018	6-18	4.5	2:1	0.80	1.20	1.80	2.30	2.75	2.50	2.25	2.00
DAT-4140	4-14	3.5	2:1	0.80	1.20	1.80	2.30	3.00	2.75	2.50	2.25
DAT-0120	0.1-2	3.5	2:1	0.50	0.80	1.50	2.00	3.50	3.25	3.00	2.75
DAT-2080	2-8	3.5	2:1	0.50	0.80	1.50	2.50	3.00	2.75	2.75	2.50
DAT-01020	0.01-2	4.5	2:1	0.50	0.80	1.50	2.50	3.50	3.25	3.00	2.75

- 1-Tighter attenuation tolerances available.
2-Other frequency bands available; contact factory.



TAYLOR MICROWAVE, INC.

48 Industrial West, Clifton, NJ 07012 • Tel.(973)890-7763 • Fax.(973)890-7793

